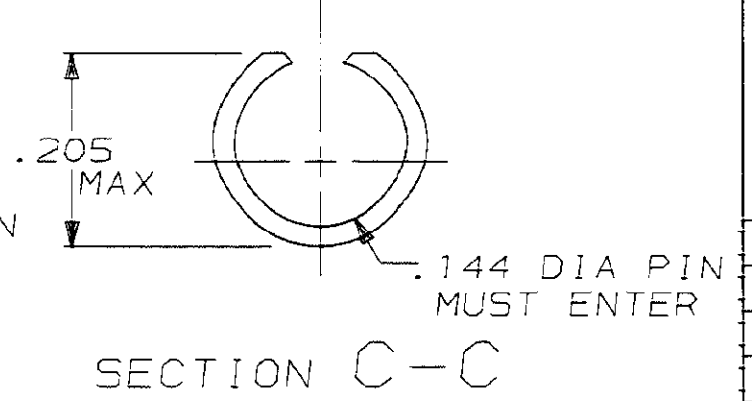
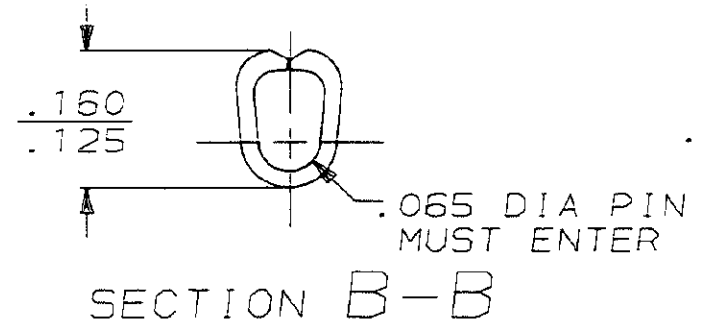
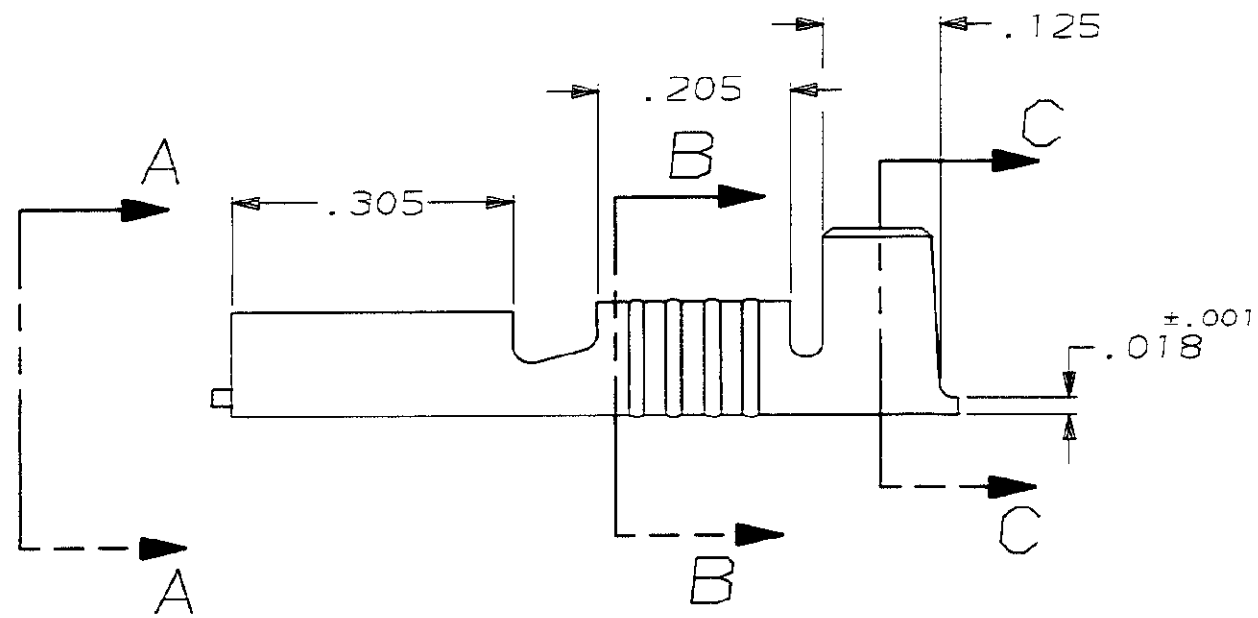
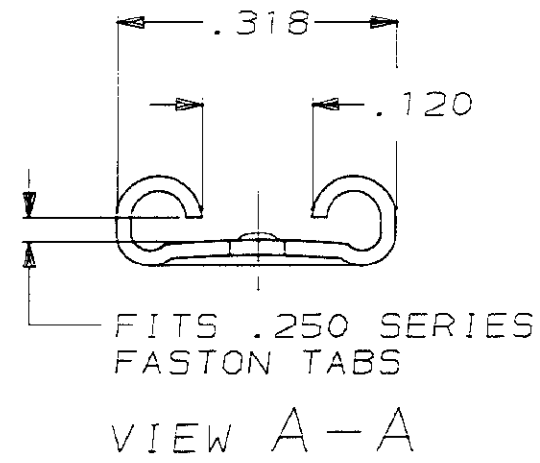
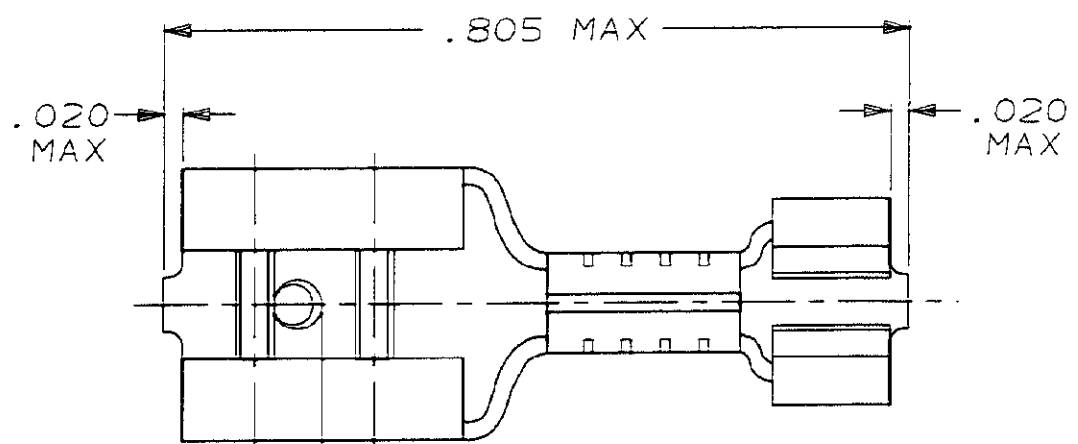


THIS DRAWING IS UNPUBLISHED. RELEASED FOR PUBLICATION .19
 © COPYRIGHT 19 BY AMP INCORPORATED. ALL INTERNATIONAL RIGHTS RESERVED.

LOC	DIST	P	F	ZONE	LTR	REVISIONS	DATE	APPD
AF	50				E	REDRAWN AF-7182	2/13/91	JR/PF

- 1 SUPPLIED IN LOOSE PIECE
- 2 SILVER PLATED .000150 MIN THK.
- 3 TIN PLATED .000080 MIN THK.
- 4 FOREIGN PRODUCTION ONLY.



INSULATION RANGE	WIRE SIZE	FINISH	MATERIAL	MATING TAB THK ±.001	PART NO
.120-.145 DIA	18-16 AWG	TIN 3	#4H BRASS	.032	42025-4
			#4H BRASS		42025-3
		SILVER 2	T3 PHOS BRZ.		42025-2
		TIN 3	T3 PHOS BRZ.		42025-1
			T3 PHOS BRZ.		42025

DO NOT SCALE PRINT. UNLESS SPECIFIED DIMENSIONS ARE IN INCHES. TOLERANCES ON: 2 PLC DEC ± - 3 PLC DEC ± .015 ANGLES ± -	DR 2/13/91 JR RUTH	AMP AMP Incorporated Harrisburg, PA 17105-3608 NAME RECEPTACLE, FASTON, .250 SERIES
	CHK 2/13/91 P FORTNEY	
	APPD 2/13/91 C MEYERS	
	APPD 2/13/91 D REINER	
MATERIAL SEE TABLE	PRODUCT SPEC -	SIZE B
FINISH SEE TABLE	APPLICATION SPEC -	CAGE CODE 00779
	WEIGHT -	DRAWING NO 42025
		SCALE 5:1
		SHEET 1 OF 1